

E N G L I S H

ORECK[®] XL[®]

S I M P L Y A M A Z I N G[®]

F R A N Ç A I S

GUIDE D'UTILISATION PAGE 6

E S P A Ñ O L

GUIA DEL USUARIO PAGE 11



USA: 1-800-989-3535
CANADA: 1-888-676-7325



WWW.ORECK.COM



VISIT ONE OF OUR OVER
450 STORE LOCATIONS



USER'S GUIDE 2310RS

HIGH SPEED UPRIGHT VACUUM
CLEANER WITH

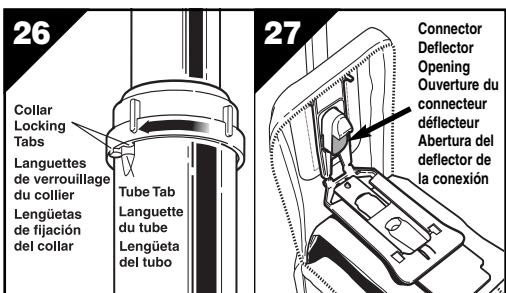
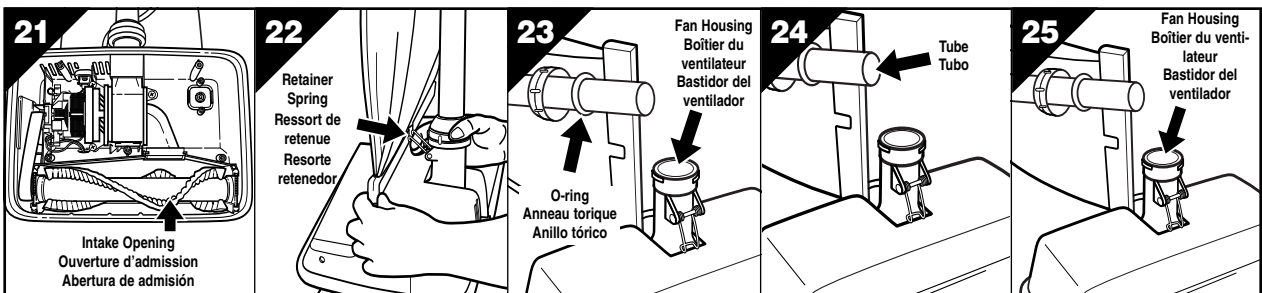
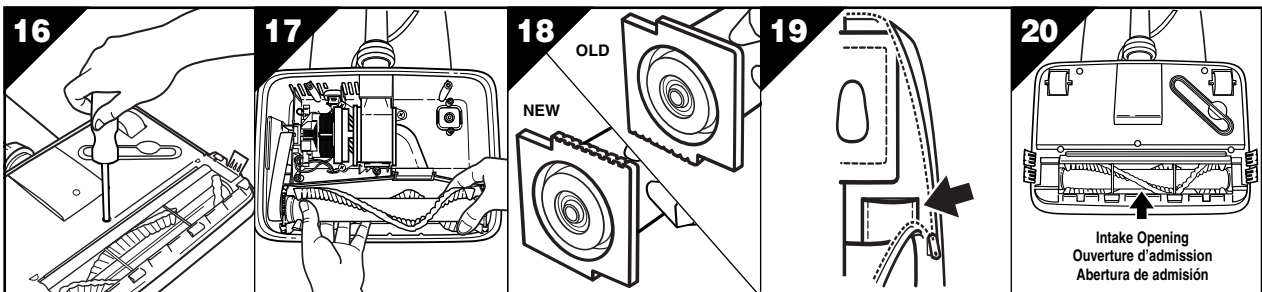
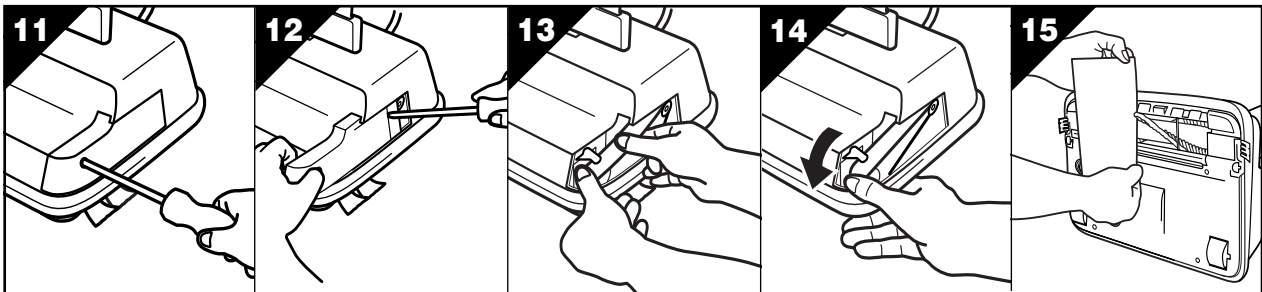
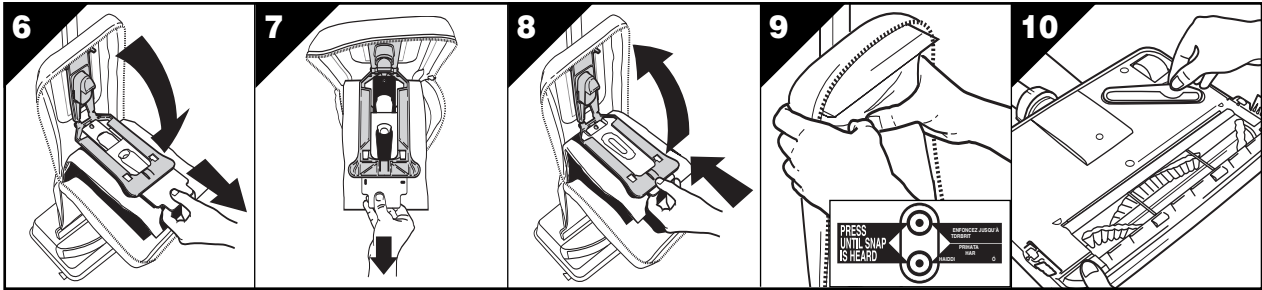
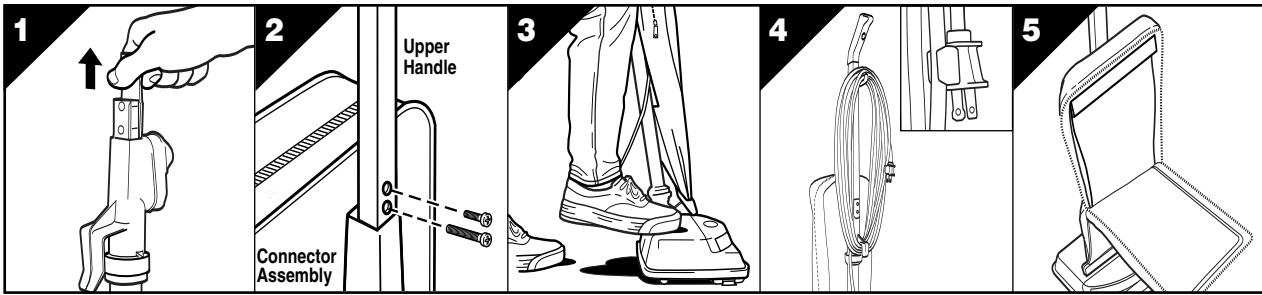
MicroSweep[®]
CLEANING SYSTEM

• **IMPORTANT!**

SAVE THIS BOOKLET!

Includes:

- Safety Warnings
- Warranty
- Operating Instructions
- Trouble Diagnosis
- Accessories



**BEFORE OPERATING CLEANER,
READ ALL INSTRUCTIONS IN
THIS MANUAL CAREFULLY.**

Table of Contents

Maintenance and Customer Service, Polarized Plug Notice,
Accessories, Important Safety Instructions page 2

Warranty, Troubleshooting Guide page 3

Parts List, Assembly, Operating Instructions,
General Information page 4

To Replace Filter Dust Bag, How to Replace a Worn Belt,
To Adjust or Replace Brush, Using an Oreck Fresh Air® Tab,
Stuffing or Blockage page 5

Maintenance and Customer Service

Your Oreck vacuum cleaner is a product of precise engineering. The motor bearings are permanently lubricated and should not be oiled. If you require additional information or have problems with your Oreck appliance, you may call ORECK customer service at:

US: 1-800-989-3535 Canada: 1-888-676-7325

Please specify the model number and serial/code number which can be found on the data plate on the back of the vacuum.

Save your sales or purchase slip. Should your Oreck appliance require warranty service in the U.S.A., present this slip to the Authorized Service Center as your proof of purchase date or, in Canada, call customer service.

Polarized Plug Notice

This product is equipped with a polarized alternating current line plug (a plug having one blade wider than the other). This plug will fit into the power outlet only one way. This is a safety feature. If you are unable to insert the plug fully into the outlet, try reversing the plug. If the plug should still fail to fit, contact an electrician to replace the obsolete outlet. Do not defeat the purpose of the polarized plug.

Accessories (Sold Separately)

USA: 1-800-989-3535 CANADA: 1-888-676-7325

ITEM	PART #
1. Dust Bag, 8 Pack Saniseal®, Hypo-Allergenic	CCPK8DW
Dust Bag, 8 Pack, Regular	CCPK8
2. Belts, 3 Pack	0300604
3. Oreck Fresh Air® Tabs	AIRTABS

**IMPORTANT SAFETY
INSTRUCTIONS**

When using an electrical appliance, basic precautions should always be followed, including the following:

**READ ALL INSTRUCTIONS BEFORE
USING THIS VACUUM CLEANER**



WARNING

**To reduce the risk of fire,
electric shock, or injury:**

- Do not leave appliance unattended when plugged in. Unplug from outlet when not in use and before servicing.
- Do not use outdoors or on wet surfaces.
- Do not operate the unit while in the upright and locked position.
- Do not let the unit run while in any one stationary position for any period of time. Keep the unit moving while in operation.
- Do not allow to be used as a toy. Close attention is necessary when used by or near children.
- Use only as described in this manual. Use only manufacturer's recommended attachments.
- Do not use with damaged cord or plug. If appliance is not working as it should, has been dropped, damaged, left outdoors, or dropped into water, return it to a service center or call customer service at: **US: 1-800-989-3535 Canada: 1-888-676-7325**
- Do not pull or carry by cord, use cord as a handle, close door on cord, or pull cord around sharp edges or corners. Keep cord away from heated surfaces.
- Do not run appliance over cord.
- Do not unplug by pulling on cord. To unplug, grasp the plug, not the cord.
- Do not handle plug or appliance with wet hands.
- Do not put any object into openings. Do not use with any opening blocked; keep free of dust, lint, hair and anything that may reduce air flow.
- Keep hair, loose clothing, fingers and all parts of body away from openings and moving parts.
- Do not use to pick up anything that is burning or smoking, such as cigarettes, matches, or hot ashes.
- Do not use without filter bag assembly in place.
- Turn off all controls before unplugging.
- Use extra care when cleaning on stairs.
- Do not use to pick up flammable or combustible liquids, such as gasoline or lighter fluid, or use in areas where they may be present.
- Do not use appliance in an enclosed space where flammable, explosive or toxic vapors are given off by oil base paint, paint thinner, some mothproofing substances, or in an area where flammable dust is present.
- Do not pick up toxic material such as chlorine bleach, drain cleaner, gasoline, etc. with this appliance.
- Use caution when vacuuming over area rug edges and fringe.

SAVE THESE INSTRUCTIONS
Household Use Only

Warranty

ORECK MANUFACTURING COMPANY: (Oreck Manufacturing Company gives you the following limited warranty for this product only if it was originally purchased for residential use, not resale, from Oreck or an Oreck Authorized Retail Dealer.)

Oreck will repair or replace, free of charge, to the original purchaser, any part which is found to be defective in material or workmanship within one (1) year of the date of purchase; ten (10) years on housing. This limited warranty applies to normal domestic use. Any commercial use of this product will void this limited warranty. This limited warranty covers the revolving roller brush for one (1) year for residential use only.

This limited warranty does not cover the replacement of expendable or consumable parts such as carbon motor brushes, edge brushes, drive belts, bulbs, disposable bags and other parts subject to normal wear unless they are defective in material or workmanship.

This limited warranty does not apply to any part subjected to accident, abuse, commercial use, alteration, misuse, damage caused by act of God, the use of voltages other than indicated on the serial number displayed on this product or service of this product by other than Oreck or a participating Factory Authorized Service Center.

Oreck does not authorize any person or representative to assume or grant any other warranty obligation with the sale of this product.

Oreck's limited warranty is valid only if you retain proof of purchase from Oreck or an Oreck Authorized Retail Dealer for this product. If you purchase this product from any other source, your purchase is "AS IS," which means Oreck grants you no warranty, and that you, not Oreck, assume the entire risk of the quality and performance of this product, including the entire cost of any necessary servicing or repairs of any defects.

Oreck's liability for damages to you for any costs whatsoever arising out of this statement of limited warranty shall be limited to the amount paid for this product at the time of original purchase, and Oreck shall not be liable for any direct, indirect, consequential or incidental damages arising out of the use or inability to use this product.

Some states do not allow the exclusion or limitation of incidental or consequential damages, so the above limitation or exclusion may not apply to you.

ALL EXPRESS AND IMPLIED WARRANTIES FOR THIS PRODUCT, INCLUDING IMPLIED WARRANTIES OF MERCHANTABILITY AND FITNESS FOR A PARTICULAR PURPOSE, ARE LIMITED IN DURATION TO THE WARRANTY PERIOD, AND NO WARRANTIES, WHETHER EXPRESS OR IMPLIED, WILL APPLY AFTER THIS PERIOD.

Some states do not allow limitations on the duration of implied warranties, so the above limitation may not apply to you.

This warranty gives you specific legal rights, and you may also have other rights which vary from state to state.

Troubleshooting Guide



WARNING: Unplug cord from electrical outlet before servicing.

SAVE SERVICE CALLS...CHECK THESE FIRST:

- Is the disposable filter dust bag full?
- Are pores of filter dust bag clogged with powder or fine dust?
- Is anything clogging the revolving brush, lower tube, intake opening, fan housing or connector assembly opening?
- Is the belt in place and turning the brush?
- Are the brush ends in the proper location?
- Does the brush turn freely? Are hair, string or rug fibers wound around the brush?

PROBLEM	POSSIBLE SOURCE	AREAS TO CHECK
CLEANER WILL NOT RUN	Not plugged in properly.	Be sure cleaner is firmly plugged into wall outlet.
	No electricity in wall outlet.	Check electrical source—fuse or circuit breaker.
CLEANER DOES NOT PICK UP	Filter bag is full.	Replace filter bag. See "To Replace Filter Dust Bag."
	Nozzle or intake pivot clogged.	Clear obstruction.
	Belt is broken or stretched.	Replace belt.
	Brush is worn.	See "To Adjust or Replace Brush."
	Bag tube clogged.	Clear obstruction.
	Bag pores are clogged with fine dust.	Change bag.
	Impeller fan is broken.	Return to Service Center for repair.
Revolving brush is not even at both ends.	Check brush roll end cards. Make sure words "old" or "new" match at each end.	

ALL OTHER SERVICING SHOULD BE DONE BY AN ORECK AUTHORIZED SERVICE CENTER.

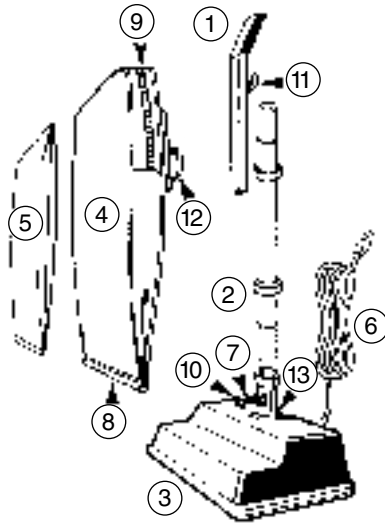
**CALL CUSTOMER SERVICE HOT LINE
US: 1-800-989-3535 Canada: 1-888-676-7325**

Whenever calling, please be sure to have your model and serial number from data plate.

Parts List

To assist you in identifying components of your vacuum, the parts have been numbered as follows:

- 1 Handle section, upper
- 2 Tube, lower
- 3 Power head
- 4 Outer bag
- 5 Filter dust bag
- 6 Power cord
- 7 Retaining spring
- 8 Bag tension bar
- 9 Zip fastener
- 10 On/off switch
- 11 Cord hook
- 12 Connector assembly
- 13 Fan housing



Assembly

- fig. 1** Before assembling appliance, remove two screws from the connector assembly. Remove cardboard insert by pulling upward.
- fig. 2** Slide upper handle section over the matching section of the connector assembly. Insert short screw into top hole and long screw into the bottom hole then tighten firmly until handle is no longer loose.

Operating Instructions

Make sure disposable paper filter dust bag is in place. **DO NOT** operate the cleaner without a paper filter dust bag. Plug the power cord into an electrical outlet and press the **On (I) - OFF (O)** switch on top of base when ready to operate.

Up-Position Lock

- fig. 3** Place foot on power head and lean handle back gently to release lock for vacuum use. Return handle to the full upright position to engage lock.

NOTE: Do not operate the unit while in the upright and locked position. Do not let the unit run while in any one stationary position for any period of time. Keep the unit moving while in operation.

For Easy Power Cord Storage

- fig. 4** Wrap power cord around cord hook on handle and cord hook on connector. Secure to "U" shaped part on plug.

Operating Recommendations

This new ORECK XL High Speed Upright is one of the finest, fastest, and strongest units in its class. You'll love the way it cleans, gets under things, and it's SO lightweight and easy to use.

The following are a few simple suggestions regarding its operation:

1. When inserting a new disposable paper filter dust bag—**FIRST PUFF OUT and OPEN THE BAG.**
2. When the disposable filter dust bag is full, **REPLACE IT.**
3. If at any time the machine does not pick up properly or makes an unusual noise, **STOP OPERATION** and service.
4. Although your upright will pick up pins, paper clips, and other small objects, it is recommended that these be removed from the floor before you vacuum. Failure to do so may result in permanent damage to the motor suction fan and its housing.

5. **WARNING:** Do not use your vacuum cleaner on damp or wet surfaces. This will cause damage to the vacuum cleaner and is dangerous to the user. Damage caused by use on wet or damp surfaces is not covered under warranty.
6. **REPLACE THE BELT EVERY 6 MONTHS.**
7. Change the disposable filter dust bag at least once a month—even if it is not full! The collected dust in the dust bag can cause odor, attract moisture, and can affect the efficiency of the cleaner.
8. **DO NOT** run the vacuum cleaner over the cord. The revolving brush could damage the cord.
9. Use caution when vacuuming over area rug edges and fringe.

General Information

The performance of your new cleaner greatly depends upon care and maintenance. The instructions in this manual will guide you in performing basic care and maintenance. To obtain the most satisfying years of service read the instructions and keep them handy for future reference.

Disposable Paper Filter Dust Bags

Disposable paper filter dust bags play a very important role in the efficiency of your ORECK vacuum cleaner. The purpose of the paper bag is to trap dirt, but at the same time it must be porous enough to allow air to pass through. If the paper bag becomes clogged, no air can pass through the cleaner and cleaning cannot take place, regardless of the cleaner's power.

To keep your cleaner operating at maximum efficiency, change the dust bag frequently. **DO NOT FILL ABOVE THE LINE INDICATED ON THE DUST BAG.**

Be sure the disposable paper filter dust bag is installed properly.

All paper dust bags are not the same. Your ORECK disposable dust bags have been designed to be used with the ORECK cleaner. Using bags other than genuine ORECK Type CC disposable bags will affect the cleaning ability of your cleaner and could cause damage to it.

The Belt

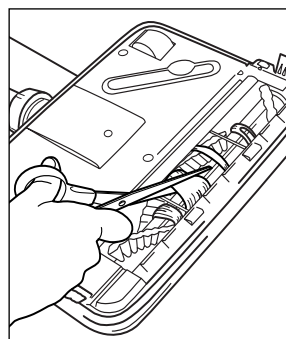
The belt on your vacuum cleaner controls the speed of the revolving brush and is very important for the effective operation of the cleaner. If the belt becomes stretched or cut, it will cause the revolving brush to stop completely or slow down. See instructions in the manual for replacing belt.

An extra belt is stored in the baseplate of your cleaner. When buying replacement belts, use ONLY ORECK genuine belts. Belts other than Oreck belts will not operate the revolving brush correctly and may create undue stress which will cause damage to the motor and brush bearings. Using belts other than ORECK belts will void the warranty.

Lubrication

The vacuum cleaner motor bearings are factory lubricated and sealed. Further lubrication is not required.

General Cleaner Care



At least once a month, check for and remove excessive lint, string or hair from revolving brush.

Wipe the outside of the cleaner with a damp cloth. Also clean the connector deflector assembly area, base of cleaner and fan housing area. If there is dust in the outer bag, vacuum it or shake it out.

A little preventative maintenance will keep your cleaner looking new and will ensure continued cleaning effectiveness.

CAUTION—Wood Floors, Soft (Vinyl, Asphalt Tile, etc.) Floor Surfaces and Polished Floor Finishes

Use floor and floor finish manufacturer's recommended methods of cleaning. The metal strip on the base of the cleaner could be damaged if used on concrete or abrasive surfaces, and, therefore, cause damage to wood floors, soft (vinyl, asphalt tile, etc.) floor surfaces and polished floor finishes. The roller brush may also scuff very soft finishes. Do not operate the unit while in the upright and locked position. Do not let the unit run while in any one stationary position for any period of time. Keep the unit moving while in operation.

To Replace Filter Dust Bag

 **WARNING: Unplug cord from electrical outlet before servicing.**

BAG REMOVAL:

- fig. 5 Unzip outer bag completely.
- fig. 6 Pull bag cardboard collar to release bag dock door from connector. Bag dock door will hinge downward.
- fig. 7 Gently pull bag cardboard collar upward out of the bag dock.

BAG INSTALLATION:

- fig. 8 Slide the cardboard collar completely onto bag dock door.
- fig. 9 Firmly push bag dock door with both thumbs on indication point until it snaps.

How to Replace a Worn Belt

 **WARNING: Unplug cord from electrical outlet before servicing.**

- fig. 10 Remove the replacement belt from the storage channel.
- fig. 11 Remove the door by removing the hold down screw located on side of power head.
- fig. 12 Slide the door forward by prying open with a screwdriver or coin.
- fig. 13 Remove the belt from the motor drive shaft and brush roll pulley.
- fig. 14 Loop the new belt over the motor drive shaft. Place the opposite end of the belt on the brush roll pulley. Rotate the brush roll three (3) complete revolutions to ensure that no part of the belt is overhanging the end of the motor drive shaft.
- fig. 12 Replace the door by sliding it into the groove at the bottom of the housing.
- fig. 11 Replace the hold down screw and tighten.

To Adjust or Replace Brush

 **WARNING: Unplug cord from electrical outlet before servicing.**

- fig. 15 To determine if the brush is worn, place a firm straight edge across the nozzle opening. If brush bristles do not extend beyond baseplate, brush should be adjusted.
- fig. 16 Remove the baseplate by removing 5 screws.
- fig. 17 Remove the belt and brush roll from the housing.
- fig. 18 Rotate both bearing assemblies at ends of brush roll to show "OLD" and replace in the holding channels in the housing.

NOTE: The bearing assembly setting marked "OLD" has no ribs on the top of the assembly. The one marked "NEW" has several ribs. When rotating bearings, make sure both bearing assembly settings are the same and face up when replacing the brush roll.

- fig. 15 Reassemble the belt and the baseplate and check bristle height above baseplate at each end of brush.

If a previous adjustment has already been made and bristle height does not extend above baseplate, a new brush assembly should be ordered.

IMPORTANT: Unless the brush is worn as indicated above, both bearings must be in the "NEW" position. When rotating, both bearings must be in the "OLD" position. Unmatched settings will cause damage to your machine.

Using An Oreck Fresh Air® Tab

- fig. 19 Your ORECK XL vacuum cleaner has a special Oreck Fresh Air® tab pocket. This light-colored pocket is located inside the vinyl bag in the area where the paper disposable bag attaches to the intake tube. Insert tablet in pocket if desired.

Stuffing or Blockage

IMPORTANT: On plush and new carpets, stuffing may occur inside the the intake tube and the lower tube assembly. This is due to excessive fuzz and loose cuttings in the carpet. Stuffing could occur for the first few cleanings until all the loose material is removed. Due to the high efficiency of the cleaner, many older carpets will cause stuffing when the cleaner is first used on them. If your vacuum cleaner does not pick up properly, or makes unusual noise and the outer bag does not fluff up or balloon open, follow these steps:

 **WARNING: Unplug cord from electrical outlet before servicing.**

- fig. 20 Check for blockage at the mouth of the intake opening. If there is blockage, remove it with long-nose pliers, a screwdriver or coat hanger. If you can not reach the blockage, remove baseplate (fig. 21).
- fig. 22 If the blockage is not at the base, remove lower tube. Unhook retainer spring, releasing bottom of bag.
- fig. 23 Twist lower collar counterclockwise to slide up. Pull tube out of base.
- fig. 24 Check for blockage. If blockage is in the tube, remove with a coat hanger.
- fig. 25 If tube is not blocked, look into fan housing. Remove debris with long-nose pliers, a screwdriver or coat hanger.
- fig. 23 To reassemble, check O-ring on tube, and replace if damaged. Vacuum will not operate properly without the tube O-ring. Slide O-ring to approximately 2" from base of tube. Replace tube by first lining up slot at base of tube with inner tab inside fan housing. Then reinsert tube and push down until the tube is seated. Make sure O-ring is in place against fan housing opening. Replace and tighten collar until collar locking tabs are locked in place.
- fig. 26 Make sure collar is not cross threaded on housing. Reattach bag spring (fig. 22).
- fig. 27 Many times blockage occurs due to a full dust bag causing dirt to back down the air flow system. When that happens, the blockage will be at the top of the system, starting in the area where the dust bag connects to the connector assembly.

NOTE: If the above actions do not correct the problem, contact an Oreck authorized service center or call the customer service center.
US: 1-800-989-3535 Canada: 1-888-676-7325

ORECK® XI

SIMPLY AMAZING®

GUIDE D'UTILISATION FRANÇAIS



USAGE MÉNAGER UNIQUEMENT
2310RS

**ASPIRATEUR VERTICAL RAPIDE
A VEC SYSTÈME DE NETTOYAGE**

MicroSweep®

**• IMPORTANTE •
CONSERVEZ CE FASCICULE**

Comprend:
Avertissements de sécurité
Garantie
Mode d'emploi
Guide de dépannage
Accessoires

**AVANT D'UTILISER L'ASPIRATEUR,
LIRE ATTENTIVEMENT TOUTES LES
INSTRUCTIONS DE CE MANUEL.**

Table des matières

Entretien et service à la clientèle, Avis de fiche polarisée, Accessoires	page 6
Consignes de sécurité importantes, Garantie	page 7
Guide de dépannage, Liste de pièces, Assemblage, Mode d'emploi	page 8
Informations générales, Remplacement du sac à poussières filtrant, Remplacement d'une courroie usée, Réglage ou remplacement du balai, Utilisation d'une tablette Oreck Fresh Air®, Blocage ou bourrage	page 9

Entretien et service à la clientèle

Votre aspirateur ORECK est un produit utilisant des mécanismes précis. Les paliers du moteur sont lubrifiés de façon permanente et ne doivent pas être huilés. Si vous avez besoin d'informations supplémentaires ou si vous avez des problèmes avec votre appareil ORECK, vous pouvez appeler le service à la clientèle ORECK au: **US: 1-800-989-3535**
Canada: 1-888-676-7325

Veuillez indiquer le numéro de modèle et le numéro de série/code apparaissant sur la plaque signalétique derrière l'aspirateur.

Conservez votre reçu de vente ou de caisse. Si votre appareil ORECK a un jour besoin d'une réparation sous garantie aux États-Unis, présentez ce coupon au centre autorisé de service après-vente comme preuve d'achat datée. Au Canada, appelez le service à la clientèle.

Avis de fiche polarisée

Ce produit est équipé d'une fiche polarisée à courant alternatif (avec une patte plus large que l'autre). Cette fiche ne peut être insérée dans une prise électrique que dans un seul sens. Il s'agit d'un dispositif de sécurité. Si vous n'arrivez pas à insérer complètement la fiche dans un sens, essayez de la retourner. Si la fiche n'entre toujours pas, demandez à un électricien de remplacer votre ancienne prise. Ne tentez pas d'altérer la fiche polarisée.

Accessoires (Vendu Séparément)

USA: 1-800-989-3535 CANADA: 1-888-676-7325

ITEM	PART #
1. 8 Sacs à poussière Hypoallergiques	CCPK8DW
8 Sacs à poussière Normaux	CCPK8
2. 3 Courroies	0300604
3. Plaquettes Fresh Air® d'Oreck	AIRTAGS

CONSIGNES DE SÉCURITÉ IMPORTANTES

Lorsque vous utilisez un appareil électroménager, vous devez toujours prendre certaines précautions de base, y compris les suivantes:

**LIRE TOUTES LES INSTRUCTIONS AVANT
D'UTILISER CET ASPIRATEUR**



AVERTISSEMENT

**Pour réduire les risques d'incendie,
d'électrocution et de blessure:**

- Ne jamais laisser l'appareil branché sans surveillance. L'appareil doit être débranché après chaque utilisation et avant toute réparation.
- Ne jamais utiliser à l'extérieur ou sur une surface humide.
- Ne faites pas fonctionner l'unité dans la position verticale verrouillée.
- Ne faites pas fonctionner l'unité pendant une longue période en position stationnaire. Continuez de déplacer l'unité lorsqu'elle est en marche.
- Ne doit pas servir de jouet. Une surveillance attentive est nécessaire lorsque l'appareil est utilisé par ou à proximité d'un enfant.
- Utilisez uniquement selon les instructions figurant dans ce manuel. Utiliser uniquement les accessoires recommandés par le fabricant.
- Ne jamais utiliser si le cordon d'alimentation ou la fiche de connexion sont endommagés. Si l'appareil ne fonctionne pas normalement, s'il a été échappé, s'il a été endommagé, s'il a été laissé à l'extérieur ou s'il est tombé dans l'eau, il faut le retourner à un centre de service après-vente ou appeler le service à la clientèle au:
US: 1-800-989-3535 Canada: 1-888-676-7325
- Ne jamais tirer ou transporter l'appareil par le cordon d'alimentation, ni utiliser le cordon en guise de poignée, ni fermer une porte sur le cordon, ni tirer le cordon autour d'un coin à angle pointu. Garder le cordon à l'écart des surfaces chaudes.
- Ne pas faire avancer l'appareil sur le cordon.
- Ne jamais débrancher l'appareil en tirant sur le cordon. Pour débrancher, saisir la fiche et non le cordon.
- Ne jamais manipuler la fiche de connexion et l'appareil avec les mains humides.
- Ne jamais insérer d'objet dans les ouvertures. Ne pas utiliser si des ouvertures sont bloquées. Elles doivent être exemptes de poussière, de charpie, de cheveux et de toute autre substance pouvant réduire le débit d'air.
- Garder les cheveux, les vêtements amples, les doigts et toutes les parties du corps à bonne distance des ouvertures et des pièces mobiles.
- Ne jamais utiliser pour ramasser des substances chaudes ou fumantes, comme des cigarettes, des allumettes ou des cendres chaudes.
- Ne jamais utiliser sans sac filtrant.
- Avant de débrancher, arrêter toutes les commandes.
- Redoubler de prudence lors du nettoyage d'escaliers.
- Ne jamais utiliser pour ramasser des liquides inflammables ou combustibles, comme de l'essence à moteur ou à briquet.
- Ne jamais utiliser l'appareil dans un espace clos où se dégage des vapeurs inflammables, explosives ou toxiques provenant d'une peinture à l'huile, d'un diluant à peinture, de substances antimites, ni dans un espace où il y a des poussières inflammables.
- Cet appareil ne doit jamais servir à ramasser des substances toxiques comme la Javel, les produits de débouchage, l'essence, etc.
- Faites attention en nettoyant à l'aspirateur les bords et la frange finis de couverture de zone.

CONSERVER CES INSTRUCTIONS
Usage ménager uniquement

Garantie

ORECK MANUFACTURING COMPANY : (ORECK vous fournit cette garantie limitée pour le produit uniquement s'il a été acheté à l'origine pour une utilisation domestique, et non pour revente, à partir d'Oreck ou d'un revendeur Oreck agréé).

Oreck s'engage à réparer ou remplacer, sans frais pour l'acheteur d'origine, toute pièce trouvée défectueuse pour cause de matériaux ou de main d'oeuvre, durant un (1) an à compter de la date d'achat. Cette garantie est portée à dix (10) ans pour le corps. Cette garantie limitée s'applique à une utilisation domestique normale. Toute utilisation commerciale du produit annulerait cette garantie limitée. Cette garantie limitée couvre la brosse à rouleau tournante durant un (1) an en utilisation domestique uniquement.

Cette garantie limitée ne couvre pas le remplacement de pièces non réutilisables ou consommables telles que charbons de moteur, brosses pour les bords, courroies d'entraînement ampoules, sacs jetables et autres pièces soumises à l'usure normal, sauf si elle souffraient d'un défaut du aux matériaux ou à la main d'oeuvre.

Cette garantie limitée ne couvre pas toute pièce ayant subi accident, utilisation abusive, excessive ou commerciale, dommages par catastrophe naturelle, alimentation sur un secteur de valeur autre que celle mentionnée sur l'étiquette signalétique du produit, ou intervention par une entité autre qu'Oreck ou un centre de service agréé par Oreck.

Oreck n'autorise aucune personne ou représentant à assumer ou fournir une obligation de garantie avec la vente de ce produit. La garantie limitée d'Oreck n'est valide que si vous conservez la preuve de l'achat de ce produit chez Oreck ou un des ses revendeurs agréés.

Si vous avez acheté ce produit depuis une autre source, c'est un achat « TEL QUEL » ce qui signifie qu'Oreck ne vous accorde aucune garantie et que c'est vous, et non Oreck, qui assumera les risques liés à la qualité et à la performance pour ce produit, y compris le coût intégral de tous entretiens ou réparations de tous défauts.

La responsabilité d'Oreck concernant des dommages pour vous ou tous coûts survenant dans le cadre de cette garantie limitée se limiteront au montant payé pour ce produit au moment de son achat d'origine, et Oreck ne pourra pas être tenu pour responsable de tous dommages directs ou indirects, accessoires ou consécutifs, causés par l'utilisation ou l'impossibilité d'utilisation de ce produit.

Certaines provinces ne permettent pas l'exclusion ou la limitation des responsabilités pour dommages accessoires ou consécutifs, en vertu de quoi la limitation ou exclusion formulée plus haut peut ne pas s'appliquer pour vous.

TOUTES GARANTIES EXPLICITES OU IMPLICITES POUR CE PRODUIT, INCLUANT LES GARANTIES IMPLICITES DE VALEUR MARCHANDE ET D'ADÉQUATION POUR UNE UTILISATION SPÉCIFIQUE, SONT LIMITÉES EN DURÉE À LA DURÉE DE LA GARANTIE DU PRODUIT, AUCUNE GARANTIE EXPLICITE OU IMPLICITE NE SERA APPLICABLE À L'ISSUE DE LA PÉRIODE DE GARANTIE.

Certaines provinces ne permettent pas les limitations sur ma durée des garanties implicites, la limitation formulée ci-dessus peut donc ne pas être applicable pour vous.

Cette garantie vous donne des droits légaux spécifiques, et vous pouvez avoir d'autres droits qui varient d'une province à l'autre.

Guide de dépannage



AVERTISSEMENT: Avant d'exécuter cette opération, débranchez le cordon d'alimentation de la prise murale.

**NE CONSULTEZ PAS INUTILEMENT UN RÉPARATEUR...
VÉRIFIEZ D'ABORD CE QUI SUIT:**

- Est-ce que le sac jetable en papier filtre est plein?
- Est-ce que les pores du sac filtrant sont bouchés avec de la poudre ou de la poussière fine?
- Quelque chose bloque-t-il le balai tournant, le tube inférieur, l'ouverture d'admission, le ventilateur ou l'ouverture du connecteur?
- Est-ce que la courroie est en place et fait tourner le balai?
- Est-ce que les extrémités du balai sont correctement placées?
- Est-ce que le balai tourne librement? Y a-t-il des cheveux, des fils ou des fibres de moquette enroulées autour du balai?

PROBLÈME	CAUSE POSSIBLE	VÉRIFICATIONS
L'ASPIRATEUR NE FONCTIONNE PAS	L'appareil est mal branché. Aucune électricité n'arrive à la prise murale.	Assurez-vous que l'aspirateur est correctement branché dans la prise murale. Vérifiez le fusible ou le disjoncteur du circuit utilisé.
L'ASPIRATEUR NE RAMASSE PAS LES SALETÉS	Le sac filtrant est plein. Blocage au niveau du bec d'aspiration ou du pivot d'admission. La courroie est endommagée ou étirée. Le balai est usé. Le tube du sac est bouché. Les pores du sac sont bouchés par de la poussière fine. Le ventilateur d'aspiration est défectueux. Le balai rotatif n'est pas à égalité aux deux extrémités.	Remplacez le sac filtrant (voir «Remplacement du sac à poussières filtrant») Dégagez les blocages. Remplacez la courroie. Voyez "pour substituer ou ajuster le roulement de brosse." Dégagez le blocage. Remplacez le sac. Retournez l'appareil au centre de réparation. Contrôlez les cartes d'extrémité de roulement de brosse. Assurez-vous que les mots «old» ou «new» correspondent à chaque extrémité.

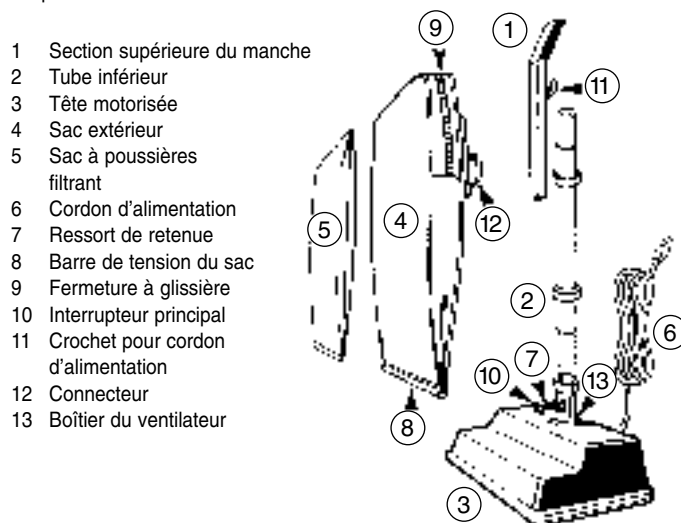
TOUTES LES AUTRES RÉPARATIONS DOIVENT ÊTRE FAITES DANS UN CENTRE DE RÉPARATION AUTORISÉ.

**APPELEZ LE SERVICE TÉLÉPHONIQUE GRATUIT D'ASSISTANCE À LA CLIENTÈLE
US: 1-800-989-3535 Canada: 1-888-676-7325**

Lorsque vous téléphonez, n'oubliez pas de noter le numéro de modèle et le numéro de série de l'appareil, lesquels figurent sur sa plaque signalétique.

Liste de pièces:

Pour vous aider à identifier les composants de votre aspirateur, les pièces ont été numérotées comme suit:



- 1 Section supérieure du manche
- 2 Tube inférieur
- 3 Tête motorisée
- 4 Sac extérieur
- 5 Sac à poussières filtrant
- 6 Cordon d'alimentation
- 7 Ressort de retenue
- 8 Barre de tension du sac
- 9 Fermeture à glissière
- 10 Interrupteur principal
- 11 Crochet pour cordon d'alimentation
- 12 Connecteur
- 13 Boîtier du ventilateur

Assemblage

schéma 1 Avant d'assembler l'appareil, enlever les deux vis sur l'assemblage du connecteur. Enlevez le carton en le faisant glisser vers le haut.

schéma 2 Glissez la section supérieure du manche sur la section appareillée du connecteur. Vissez les vis fermement jusqu'à ce que le manche ne bouge plus.

Mode d'emploi

Assurez-vous que le sac à poussières en papier filtre est bien installé. **N'UTILISEZ PAS** l'aspirateur sans sac à poussières filtrant.

Lorsque l'appareil est prêt à l'emploi, branchez le cordon d'alimentation dans une prise électrique et enfoncez la commande **marche/arrêt (I/O)** de l'interrupteur, sur la base de l'appareil.

Verrouillage position haute

schéma 3 Placez le pied sur l'électrobrosse et ramenez doucement la poignée en arrière pour relâcher le verrouillage afin de fonctionner en aspirateur. Ramenez la poignée en position complètement haute pour verrouiller à nouveau.

NOTE: Ne faites pas fonctionner l'unité dans la position verticale verrouillée. Do not let the unit run while in any one stationary position for any period of time. Keep the unit moving while in operation.

Rangement facile du cordon

schéma 4 Enroulez le cordon autour de la base d'alimentation et de la poignée.

Recommandations de fonctionnement

Ce nouvel aspirateur vertical rapide ORECK XL est l'un des appareils les plus solides, rapides et sophistiqués de sa catégorie. Vous apprécierez sa façon de nettoyer et de passer sous les meubles. Vous constaterez également qu'il est très léger et facile à utiliser.

Voici quelques suggestions simples concernant son utilisation:

1. Lorsque vous insérez un nouveau sac à poussières jetable, commencez par le secouer, puis ouvrez-le.
2. Lorsque le sac à poussières jetable est plein, REMPLACEZ-LE.
3. Si l'appareil vient à mal nettoyer ou à produire un bruit inhabituel, DÉBRANCHEZ-LE et faites les réparations nécessaires.
4. Même si votre aspirateur vertical ramasse les épingles à cheveux, les trombones à papier et d'autres petits objets, il est préférable de les ramasser à la main avant de passer l'aspirateur. Autrement, vous risquez d'endommager de façon permanente le mécanisme de succion et son boîtier.

5. **AVERTISSEMENT:** N'utilisez jamais l'aspirateur sur une surface mouillée ou humide. Cela pourrait endommager l'aspirateur et blesser l'utilisateur. Les dommages causés par une utilisation sur une surface mouillée ou humide ne sont pas couverts par la garantie.
6. **REPLACEZ LA COURROIE TOUS LES 6 MOIS.**
7. Remplacez le sac à poussières jetable au moins une fois par mois, même s'il n'est pas plein! Les poussières accumulées dans le sac peuvent dégager des odeurs, attirer la moisissure, favoriser le développement des bactéries et nuire au bon fonctionnement de l'appareil.
8. **Ne passez pas l'aspirateur sur son cordon d'alimentation.** Le balai rotatif pourrait endommager le cordon d'alimentation.
9. Faites attention en nettoyant à l'aspirateur les bords et la frange finis de couverture de zone.

Informations générales

Les performances de votre nouvel aspirateur dépendent considérablement de l'entretien et des soins que vous lui accordez. Les instructions fournies dans ce manuel vous aideront à exécuter les procédures d'entretien appropriées. Pour que votre appareil fonctionne de façon satisfaisante pendant de nombreuses années, lisez les instructions et gardez-les à portée de main pour référence future.

Sacs à poussière jetables en papier filtre

Les sacs à poussière jetables en papier filtre sont un élément très important de l'efficacité de votre aspirateur ORECK. Le sac à poussières doit attraper les saletés, mais il doit également être suffisamment poreux pour laisser passer l'air. Si le sac en papier se bouche, aucun air ne peut passer et le nettoyage ne peut se faire, quelle que soit la puissance de l'aspirateur. Pour que votre aspirateur conserve une efficacité maximale, remplacez fréquemment le sac à poussière. **NE REMPLISSEZ PAS LE SAC AU-DELÀ DE LA LIGNE DE REMPLISSAGE.**

Assurez-vous que le sac à poussières jetable en papier filtre est correctement installé.

Les sacs à poussière en papier ne sont pas tous identiques. Vos sacs à poussière jetables ORECK ont été spécialement conçus pour les aspirateurs ORECK et l'utilisation de sacs jetables ne portant pas la marque ORECK Type CC risque d'affecter la puissance de nettoyage de votre appareil et même de l'endommager.

Courroie

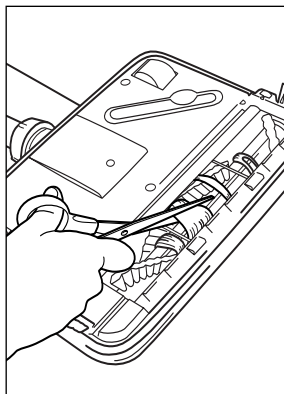
La courroie de votre aspirateur contrôle la vitesse de votre balai rotatif et constitue un élément très important du fonctionnement efficace de l'appareil. Si la courroie s'étire ou se coupe, le balai rotatif ralentira ou s'arrêtera complètement. Pour le remplacement de la courroie, suivez les instructions du manuel.

Une courroie de rechange est rangée dans la plaque de base de votre aspirateur. Lorsque vous achetez une courroie de rechange, choisissez uniquement une courroie de marque ORECK. Les courroies ne portant pas la marque ORECK ne feront pas fonctionner correctement le balai tournant et peuvent créer une résistance capable d'endommager le moteur et les paliers du balai. L'utilisation d'une courroie ne portant pas la marque ORECK annule la garantie.

Lubrification

Les paliers du moteur de l'aspirateur ont été lubrifiés en usine et fermés hermétiquement. Aucune lubrification supplémentaire n'est nécessaire.

Entretien général de l'aspirateur



Au moins une fois par mois, vérifiez le balai rotatif et enlevez-y la charpie, les bouts de fil et les cheveux.

Essuyez l'extérieur de l'aspirateur avec un chiffon humide. Nettoyez également le déflecteur du connecteur, la base de l'aspirateur et le boîtier du ventilateur. S'il y a de la poussière dans le sac extérieur, passez-y l'aspirateur ou secouez-le.

Un peu d'entretien préventif permettra à votre aspirateur de conserver une apparence neuve et une grande efficacité.

ATTENTION-Planchers, revêtements de sols souples (dalles PVC, carreaux à base de bitume) et sols cirés

Employez les méthodes de finition de sols et revêtements de sols préconisées par le fabricant. La bande métallique à la base de l'aspirateur peut être endommagée en frottant contre du ciment ou une surface abrasive et, par la suite, rayer des sols cirés ou en matières souples (dalles en PVC, carreaux à base de bitume). La brosse peut aussi marquer les finis délicats. Ne pas opérer avec l'appareil verrouillé et en position verticale. Ne pas laisser l'appareil tourner à la même place pendant longtemps. Il faut toujours le déplacer quand le moteur est en marche.

Remplacement du sac à poussières filtrant



AVERTISSEMENT: Avant d'exécuter cette opération, débranchez le cordon d'alimentation de la prise murale.

ENLÈVEMENT DU SAC :

schéma 5 Ouvrez complètement le sac extérieur.

schéma 6 Tirez le collier carton du sac pour dégager la porte de sac du raccord. La porte de sac va basculer vers le bas.

schéma 7 Tirez doucement le collier carton vers le haut en le sortant du berceau de sac.

INSTALLATION D'UN SAC:

schéma 8 Faites glisser le collier en carton sur la porte du sac jusqu'à ce que la patte de fermeture automatique et étanche du sac à poussières soit bloquée dans le trou correspondant.

schéma 9 Placez les deux pouces aux endroits indiqués sur la porte du sac, puis poussez fermement jusqu'au dé clic.

Remplacement d'une courroie usée



AVERTISSEMENT: Avant d'exécuter cette opération, débranchez le cordon d'alimentation de la prise murale.

schéma 10 Enlevez la courroie de rechange du canal de rangement.

schéma 11 Déposez la porte en enlevant la vis de maintien située sur le côté de l'électrobrosse.

schéma 12 Faites glisser la porte vers l'avant en la soulevant avec un tournevis ou une pièce de monnaie.

schéma 13 Enlevez la courroie sur la poulie du balai et sur l'arbre d'entraînement du moteur.

schéma 14 Enrouler la nouvelle courroie autour de l'arbre d'entraînement du moteur. Placer l'extrémité opposée de la courroie sur la poulie de brosse rotative. Faire tourner la brosse rotative pour trois (3) révolutions complètes afin de s'assurer qu'aucune partie de la courroie ne déborde de l'arbre d'entraînement du moteur.

schéma 12 Avec votre pouce et un doigt, faites tourner la courroie sur la poulie, en vous assurant que la courroie fasse tout le tour de la poulie.

schéma 11 Remplacez la porte en la faisant glisser dans la rainure au fond du boîtier. Remplacez la vis de retenue.

Réglage ou remplacement du balai



AVERTISSEMENT: Avant d'exécuter cette opération, débranchez le cordon d'alimentation de la prise murale.

schéma 15 Pour savoir si le balai est usé, placez un rebord droit sur l'ouverture du bec. Si les poils du balai ne dépassent pas la plaque de base, le balai doit être réglé.

schéma 16 Enlevez les 5 vis de la plaque de base, puis la plaque de base.

schéma 17 Enlevez ensuite la courroie et le balai rouleau dans le boîtier.

schéma 18 Faites tourner les deux paliers aux extrémités du balai rouleau jusqu'à l'indication «**OLD**» et replacez-les dans les rainures de retenue du boîtier.

REMARQUE: Le réglage de roulement marqué **OLD (Ancien)** n'a pas de nervures en haut de l'ensemble. Celui marqué **NEW (nouveau)** a plusieurs nervures. Lors de la rotation des roulements, s'assurer que les deux réglages de roulement soient les mêmes et qu'ils soient tournés vers le haut lors de la mise en place du rouleau brosse.

schéma 15 Réassemblez la courroie et la plaque de base, puis assurez-vous que les poils dépassent la plaque de base aux deux extrémités du balai.

Si le réglage ci-dessus est effectué et que les poils ne dépassent toujours pas la plaque de base, un nouveau balai doit être commandé.

IMPORTANT : Sauf si la brosse est usée comme indiqué ci-dessus, les deux roulements doivent être dans la position «**NEW**». En procédant à une rotation, les deux roulements doivent être dans la position «**OLD**». Des positionnements non appareillés endommageraient votre machine.

Utilisation d'une tablette Oreck Fresh Air®

schéma 19 Votre aspirateur ORECK XL possède une poche spéciale pour y placer une tablette Oreck Fresh Air®. Cette poche de couleur claire est située à l'intérieur du sac en vinyle, là où le sac jetable en papier se fixe au tube d'admission. Insérez la tablette dans la poche.

Blocage ou bourrage

IMPORTANT: Sur de la peluche et de la moquette neuve, il peut se produire un bourrage dans le tube d'aspiration ou l'ensemble de tube inférieur. Cela est dû à trop de peluches et des bouts de poils de tapis, et cela durera jusqu'à ce que tout le matériau soit enlevé. À la suite de l'efficacité élevée du nettoyeur, beaucoup de tapis plus anciens peuvent aussi causer un bourrage la première fois que l'aspirateur est utilisé pour les nettoyer. Si votre aspirateur ne ramasse pas normalement, ou fait un bruit inhabituel et que le sac extérieur ne se remplit pas ou ne se gonfle pas, suivez les étapes suivantes:



AVERTISSEMENT: Avant d'exécuter cette opération, débranchez le cordon d'alimentation de la prise murale.

schéma 20 Vérifiez s'il y a un blocage à l'entrée de l'admission d'air. S'il y a un blocage, enlevez-le avec des pinces à bec long, un tournevis ou un cintre. Si vous ne pouvez pas atteindre le blocage, enlevez la plaque de base (**schéma. 21**).

schéma 22 Si le blocage ne se situe pas à la base, enlevez le tube inférieur. Déconnectez le ressort de maintien pour relâcher le bas du sac.

schéma 23 Tournez le collier inférieur dans le sens contraire des aiguilles d'une montre pour le glisser vers le haut. Tirez le tube de la base.

schéma 24 Si le bouchon est dans le tube, retirez-le avec un porte-manteaux.

schéma 25 Si le tube n'est pas bloqué, regardez dans le boîtier du ventilateur. Enlevez les débris avec des pinces à bec long, un tournevis ou un cintre.

schéma 23 Avant de réassembler les composants, vérifiez l'anneau torique sur le tube et remplacez-le s'il est endommagé. L'aspirateur ne peut pas fonctionner sans l'anneau torique du tube. Faites glisser l'anneau torique jusqu'à environ 2 pouces (5cm) de la base du tube. Replacez-le tube en alignant d'abord la fente sur la base du tube avec la patte intérieure dans le boîtier du ventilateur. Insérez ensuite le tube et poussez jusqu'au fond. Assurez-vous que l'anneau torique est correctement installé sur l'ouverture du ventilateur.

schéma 26 Remettez en place et serrez le collier jusqu'à ce que les languettes de verrouillage de collier soient bloquées en place. (**schéma. 22**) Vérifiez que le collier n'est pas contre-ressorté sur le cadre.

schéma 27 Il arrive souvent que des blocages surviennent parce que le sac à poussières est plein et que les saletés refoulent dans le système de circulation d'air. Dans ces situations, le blocage se concentre dans la partie supérieure du système, particulièrement là où le sac à poussières est raccordé au connecteur.

REMARQUE: Si les opérations ci-dessus ne corrigent pas le problème, contactez un centre de service autorisé ORECK ou appelez le centre de service à la clientèle. **US: 1-800-989-3535**
Canada: 1-888-676-7325

ORECK® XI

SIMPLY AMAZING®

GUIA DEL USUARIO

E S P A Ñ O L



SÓLO PARA USO CASERO
2310RS

ASPIRADORA VERTICAL DE ALTA VELOCIDAD CON EL SISTEMA DE LIMPIEZA

MicroSweep®

• IMPORTANT •
¡GUARDE ESTE FOLLETO!

Incluye:

Advertencias de seguridad
Garantía
Instrucciones de operación
Diagnóstico de problemas
Accesorios

ANTES DE OPERAR LA ASPIRADORA, LEA CON CUIDADO TODAS LAS INSTRUCCIONES INCLUIDAS EN ESTE MANUAL.

Indice

Mantenimiento y servicio a clientes, Aviso de la clavija polarizada, Accesorios	página 11
Instrucciones importantes de seguridad, Garantía	página 12
Guía para la identificación de problemas, Lista de piezas, Ensamblaje, Instrucciones de operación	página 13
Información general, Para reemplazar la bolsa para polvo de filtro, Cómo reemplazar una correa desgastada . . .	página 14
Para ajustar o reemplazar el cepillo, Uso de una tableta de Fresh Air®, Relleno o bloqueo	página 15

Mantenimiento y servicio a clientes

Su aspiradora ORECK es un producto de diseño preciso. Los cojinetes del motor están lubricados permanentemente y no debe ponerles aceite. Si requiere información adicional o si tiene problemas con su aparato ORECK, puede llamar al servicio a clientes de ORECK al:

US: 1-800-989-3535 Canada: 1-888-676-7325

Por favor especifique el número de modelo y el número de serie/código, el cual se puede encontrar en la placa de datos en la parte posterior de la aspiradora.

Guarde su recibo de ventas o de compra. En caso que su aparato ORECK necesitara servicio de garantía en los EE. UU., presente este recibo en el centro de servicio autorizado como su comprobante de fecha de compra, o en Canadá, llame a servicio a clientes.

Aviso de la clavija polarizada

Este producto viene equipado con una clavija polarizada para línea de corriente alterna (una clavija que tiene una espiga más ancha que la otra). Esta clavija solamente se ajusta de una sola manera en la toma de corriente. Esta es una característica de seguridad. Si no puede insertar la clavija completamente en la toma de corriente, intente invirtiendo la clavija. Si todavía no puede insertarla, llame a un electricista para que reemplace la toma de corriente obsoleta. No le quite el propósito a la clavija polarizada.

Accesorios (Vendido por separado)

USA: 1-800-989-3535 CANADA: 1-888-676-7325

ITEM	PART #
1. Paquete de 8 bolsas para polvo, Hipoalergénica	CCPK8DW
Paquete de 8 bolsas para polvo, Regulares	CCPK8
2. Correas, paquete de 3	0300604
3. Tabletas Oreck Fresh Air®	AIRTABS

INSTRUCCIONES IMPORTANTES DE SEGURIDAD

Cuando utilice un aparato eléctrico, siempre debe seguir precauciones básicas, incluyendo las siguientes:

LEA TODAS LAS INSTRUCCIONES ANTES DE USAR ESTA ASPIRADORA



ADVERTENCIA

Para reducir el riesgo de incendio, descarga eléctrica o lesiones:

- No deje el aparato sin atender cuando esté conectado. Desconéctelo de la toma de corriente cuando no esté en uso y antes de darle servicio.
- No la use en exteriores ni en superficies mojadas.
- No operar la unidad mientras está en posición vertical y trabada.
- No permitir que la unidad funcione mientras esté en cualquier posición fija por cualquier período de tiempo. Mientras esté en funcionamiento, mantener la unidad en movimiento.
- No permita que se use como juguete. Es necesario poner mucha atención cuando la usen los niños o cuando se use cerca de ellos.
- Usela solamente como se describe en este manual. Utilice solamente los aditamentos recomendados por el fabricante.
- No la use con el cordón o clavija dañados. Si la aspiradora no funciona como debería, si se ha caído, dañado, dejado en exteriores, o dejado caer en agua, envíela a un centro de servicio o llame a servicio a clientes al:
US: 1-800-989-3535 Canada: 1-888-676-7325
- No tire de ella ni la mueva por el cordón, ni use el cordón como asa, no cierre la puerta sobre el cordón, ni jale el cordón alrededor de bordes o esquinas afiladas. Mantenga el cordón lejos de las superficies calientes.
- No opere el aparato sobre el cordón.
- No lo desconecte jalando el cordón. Para desconectarlo, tome la clavija, no el cordón.
- No manipule la clavija ni el aparato con las manos mojadas.
- No ponga objetos pesados en las aberturas. No lo use con alguna abertura bloqueada; manténgalo libre de polvo, pelusa, cabello y cualquier cosa que pueda reducir el flujo de aire.
- Mantenga el cabello, ropa suelta, dedos y todas las partes del cuerpo lejos de las aberturas y partes móviles.
- No la use para que aspire cualquier cosa que se esté quemando o arrojando humo, como cigarrillos, cerillos o cenizas calientes.
- No la use sin el ensamblaje de la bolsa de filtro en su lugar.
- Apague todos los controles antes de desconectarla.
- Tenga cuidado especial cuando limpie alguna escalera.
- No la use para aspirar líquidos inflamables o combustibles, como gasolina o líquido para encendedores, ni la use en áreas donde puedan estar presentes.
- No use el aparato en espacios cerrados donde puedan emanarse vapores inflamables, explosivos o tóxicos por pintura a base de aceite, adelgazador de pintura, algunas sustancias a prueba de moho, o en un área donde haya presente polvo inflamable.
- No aspire con este aparato material tóxico como blanqueador con cloro, limpiador de drenajes, gasolina, etc.
- Tenga cuidado al limpiar los bordes y la franja excesivos de la manta con la aspiradora del área.

GUARDE ESTAS INSTRUCCIONES
Sólo para uso casero

Garantía

ORECK MANUFACTURING COMPANY: (Oreck Manufacturing Company le otorga la siguiente garantía limitada para este producto, solamente si fue comprado inicialmente para uso residencial, no para la reventa, a Oreck o un minorista autorizado de Oreck).

Oreck reparará o reemplazará gratuitamente al comprador original cualquier pieza que resulte defectuosa en los materiales o la fabricación, dentro de los uno (1) años siguientes a la fecha de compra; la garantía de la caja será de diez (10) años. Esta garantía limitada se aplicará al uso doméstico normal. Cualquier uso comercial de este producto anulará esta garantía limitada. Esta garantía limitada ampara el cepillo rotatorio de rodillo durante un (1) año, solamente para uso residencial.

Esta garantía limitada no ampara el reemplazo de piezas desechables o fungibles, tales como los cepillos de carbono para el motor, los cepillos del borde, las correas de transmisión, las bombillas, las bolsas desechables y demás piezas susceptibles de desgaste normal, a menos que sean defectuosas en los materiales o la fabricación.

Esta garantía limitada no se aplicará a ninguna pieza que sufra un accidente o a la cual se dé un uso comercial, se altere, se le dé un mal uso o se estropee por fuerza mayor o caso fortuito, o que se estropee por el uso de voltajes distintos de los indicados en el número de serie que aparece en este producto, o por cualquier reparación del mismo, no efectuada por Oreck o un centro participante de reparaciones, autorizado por la fábrica.

Oreck no autoriza a ninguna persona o representante a asumir o conceder ninguna otra obligación de garantía con la venta de este producto.

La garantía limitada de Oreck será válida solamente si usted conserva la prueba de la compra de este producto de Oreck o de un minorista autorizado de Oreck. Si compra este producto de cualquier otra fuente, lo adquirirá "COMO SE ENCUENTRA", lo cual significa que Oreck no le concederá ninguna garantía y que usted, no Oreck, asumirá totalmente los riesgos de calidad y funcionamiento de este producto, inclusive la totalidad del costo de cualquier conservación necesaria o la reparación de cualquier defecto.

La responsabilidad de Oreck por los daños y perjuicios que se le causen por cualesquier costos, sean cuales fueren, originados en esta enunciación de garantía limitada, se limitará a la suma pagada por este producto en el momento de la compra inicial, y Oreck no responderá por ningunos daños y perjuicios directos, indirectos, derivados de las consecuencias de los actos de las partes ni derivados del incumplimiento del contrato, originados en el uso de este producto o en la incapacidad de usarlo.

Algunos estados no permiten la exclusión o limitación de los daños y perjuicios derivados del incumplimiento o de las consecuencias de los actos de las partes; por consiguiente, las anteriores limitaciones o exclusiones quizá no le sean aplicables a usted.

TODA GARANTÍA EXPRESA O TÁCITA DE ESTE PRODUCTO, INCLUSIVE LAS GARANTÍAS TÁCITAS DE FÁCILVENTA E IDONEIDAD PARA UN FIN DETERMINADO, ESTÁN LIMITADAS EN SU DURACIÓN AL PERÍODO DE LA GARANTÍA, Y NINGUNA GARANTÍA EXPRESA O TÁCITA SERÁ APLICABLE CON POSTERIORIDAD A ESTE PERÍODO.

Algunos estados no permiten limitaciones de la duración de las garantías tácitas; por lo tanto, la anterior limitación quizá no le sea aplicable a usted.

Esta garantía le concede derechos legales específicos, y quizá tenga otros derechos, que varían de un estado a otro.

Guía para identificación de problemas

ADVERTENCIA: Desconecte el cordón de la toma eléctrica antes de dar servicio.

**AHORRESE LAS LLAMADAS DE SERVICIO...
REVISE PRIMERO LO SIGUIENTE:**

- ¿Está llena la bolsa para polvo de filtro desechable?
- ¿Hay poros de la bolsa para polvo de filtro tapados con polvo fino?
- ¿Hay algo que tape el cepillo revolvente, el tubo inferior, la abertura de admisión, el bastidor del ventilador, o la abertura de ensamblaje de la conexión?
- ¿Los extremos del cepillo están en la ubicación adecuada?
- ¿El cepillo gira libremente? ¿Hay cabellos, hilos o fibras de tapete alrededor del cepillo?

PROBLEMA	POSIBLE CAUSA	AREAS A VERIFICAR
LA ASPIRADORA NO FUNCIONA	No está bien conectada. No hay electricidad en la toma de corriente en la pared.	Asegúrese que la aspiradora esté firmemente conectada en la toma de corriente de la pared. Revise el fusible de la fuente de electricidad o el interruptor automático del circuito.
EL APARATO NO ASPIRA	La bolsa del filtro está llena. La boquilla o el pivote de admisión está tapado. La correa está rota o estirada. El cepillo está desgastado. El tubo de la bolsa está tapado. Los poros de la bolsa están tapados con polvo fino. El impulsor del ventilador está roto. El cepillo revolvente no está uniforme en ambos extremos.	Reemplace la bolsa del filtro. Vea la sección "Cómo instalar la bolsa para polvo de filtro." Limpie las obstrucciones. Reemplace la correa. Vea "para substituir o para ajustar el rodillo del cepillo." Limpie la obstrucción. Cambie la bolsa. Envíe al Centro de Servicio para su reparación. Controle las tarjetas del extremo del rodillo del cepillo. Asegúrese que las palabras "OLD" o "NEW" correspondan en cada extremo.

TOUTES LES AUTRES RÉPARATIONS DOIVENT ÊTRE FAITES DANS UN CENTRE DE RÉPARATION AUTORISÉ.

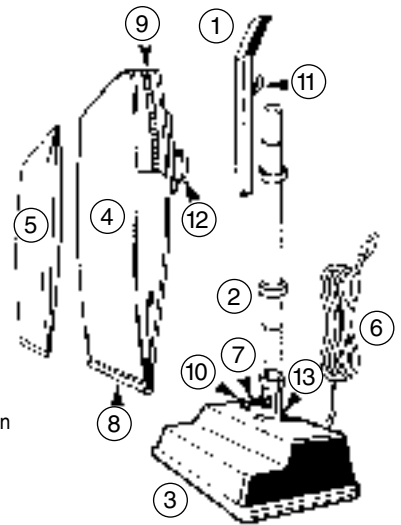
**APPELZ LE SERVICE TÉLÉPHONIQUE GRATUIT D'ASSISTANCE À LA CLIENTÈLE
US: 1-800-989-3535 Canada: 1-888-676-7325**

Lorsque vous téléphonez, n'oubliez pas de noter le numéro de modèle et le numéro de série de l'appareil, lesquels figurent sur sa plaque signalétique..

Lista de piezas:

Para ayudarle a identificar los componentes de su aspiradora, las piezas se han numerado como sigue:

- 1 Sección del asa, superior
- 2 Tubo inferior
- 3 Cabeza motriz
- 4 Bolsa exterior
- 5 Bolsa para polvo con filtro
- 6 Cordón de alimentación
- 7 Resorte retenedor
- 8 Barra para tensión de la bolsa
- 9 Sujetador de cremallera
- 10 Interruptor de encendido/apagado
- 11 Abrazadera para el cable
- 12 Ensamblaje de la conexión
- 13 Bastidor del ventilador



Ensamblaje

fig. 1 Antes de armar la máquina, retire los dos tornillos del conjunto conector. Retire el inserto de cartón tirándolo hacia arriba.

fig. 2 Antes de ensamblar la máquina. Quite los dos tornillos del conjunto conector. Deslice la sección del mango superior sobre la sección correspondiente en el conjunto conector. Inserte los tornillos en los agujeros y apriételes firmemente hasta que el mango quede inmóvil.

Instrucciones de operación

Asegúrese que la bolsa para polvo de filtro de Asegúrese que la bolsa para polvo de filtro de papel esté en su lugar. **NO opere la aspiradora sin una bolsa para polvo de filtro de papel.** Conecte el cordón de alimentación en una toma eléctrica y cuando esté listo para operar oprima el interruptor de **encendido (I) - apagado (O)** en la parte superior de la base.

Traba de posición arriba

fig. 4 Apoye el pie en el cabezal motorizado e incline el mango suavemente hacia atrás para soltar al traba y usar la aspiradora. Vuelva a colocar el mango en posición vertical para enganchar la traba.

PRECAUCION: No permitir que la unidad funcione mientras esté en cualquier posición fija por cualquier período de tiempo. Mientras esté en funcionamiento, mantener la unidad en movimiento.

Para guardar fácilmente el cordón eléctrico

fig. 5 Enrolle el cordón eléctrico alrededor del abrazadera para el cable y mango.

Recomendaciones de operación

Esta nueva aspiradora vertical ORECK XL de alta velocidad es una de las mejores, más rápidas y fuertes unidades en su clase. Le encantará la manera como limpia, cómo cabe por debajo de las cosas, y que es TAN ligera y fácil de usar.

Las siguientes son sólo algunas sugerencias sencillas relacionadas con su operación:

1. Cuando inserte una nueva bolsa desechable para polvo con filtro de papel, PRIMERO INFLELA y ABRA LA BOLSA.
2. Cuando la bolsa para polvo con filtro desechable esté llena, CAMBIELA.
3. Si en cualquier momento la máquina no absorbe adecuadamente o hace un ruido inusual, DEJE DE OPERARLA Y DÉLE SERVICIO.

4. Aunque su aspiradora vertical absorbe alfileres, sujetadores de papel y otros objetos pequeños, se recomienda que los retire del suelo antes de aspirar. En caso de no hacerlo el ventilador de succión del motor y el bastidor pueden quedar con daños permanentes.
5. **ADVERTENCIA:** No use su aspiradora en superficies húmedas o mojadas. Esto provocará daños en la aspiradora y es peligroso para el usuario. Los daños provocados por el uso en superficies húmedas o mojadas no están cubiertos por la garantía.
6. **REEMPLACE LA CORREA CADA 6 MESES.**
7. Cambie la bolsa para polvo con filtro desechable por lo menos una vez al mes, aunque no esté llena. El polvo recolectado en la bolsa de polvo puede provocar olores, atraer la humedad, actuar como área de multiplicación, y puede afectar la eficiencia de la aspiradora.
8. **NO** opere la aspiradora por encima del cordón. El cepillo revolvente puede dañar el cordón.
9. Tenga cuidado al limpiar los bordes y la franja excesivos de la manta con la aspiradora del área.

Información general

El desempeño de su nueva aspiradora depende en gran parte del cuidado y el mantenimiento. Las instrucciones de este manual le guiarán para realizar el cuidado y mantenimiento básico. Para obtener muchos años de servicio satisfactorio, lea las instrucciones y manténgalas a la mano para futura referencia.

Bolsas para polvo con filtro de papel desechables.

Las bolsas para polvo con filtro de papel desechables tienen una función muy importante en la eficiencia de su aspiradora ORECK. El objetivo de la bolsa de papel es atrapar la mugre, pero al mismo tiempo debe ser lo suficiente porosa para que el aire pase a través de ella. Si se tapa la bolsa de papel, no puede pasar el aire a través de la aspiradora y no se puede aspirar, independientemente de la potencia de la aspiradora.

Para mantener su aspiradora operando con la máxima eficiencia, cambie la bolsa de polvo con frecuencia. **NO LLENE LA BOLSA SOBRE LA lInEA INDICADA EN LA BOLSA PARA POLVO.**

Asegúrese que la bolsa para polvo de filtro de papel esté en la posición adecuada.

No todas las bolsas para polvo de papel son iguales. Sus bolsas para polvo desechables de ORECK han sido diseñadas para utilizarse con la aspiradora ORECK y si usa otras bolsas que no sean las bolsas desechables genuinas de ORECK Type CC se afectará la capacidad de limpieza de su aspiradora y podría dañarse.

La correa

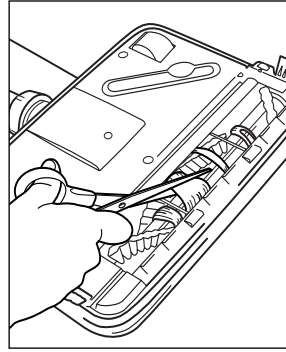
La correa de su aspiradora controla la velocidad del cepillo revolvente y es muy importante para la operación eficaz de la aspiradora. Si la correa se corta o se estira, provocará que el cepillo revolvente se detenga completamente o que se haga más lento. Vea las instrucciones en el manual para la correa revolvente.

En la placa base de su aspiradora se almacena una correa extra. Cuando compre las correas de repuesto, use SOLAMENTE correas genuinas de ORECK. Otras correas que no sean de ORECK no operarán el cepillo revolvente de manera correcta y pueden provocar tensión indebida, la cual provocará daños al motor y a los cojinetes del cepillo. Si utiliza otras correas que no sean de ORECK se anulará la garantía.

Lubricación

Los cojinetes del motor de la aspiradora se lubrican y sellan en la fábrica. No se requiere lubricación adicional.

Cuidados generales de la aspiradora



Por lo menos una vez al mes, revise y retire el exceso de pelusa, hilos o cabello del cepillo revolvente.

Limpie el exterior de la aspiradora con una tela húmeda. También limpie el área de ensamblaje del deflector de la conexión, la base de la aspiradora y el área del bastidor del ventilador. Si hubiera polvo en la bolsa exterior, aspirelo o sacúdalo.

Un poco de mantenimiento preventivo mantendrá su aspiradora como nueva y asegurará la eficacia continua de limpieza.

PRECAUCION-Pisos de madera, superficies suaves de madera (vinilo, baldosas de asfalto, etc.) y pisos encerados

Utilizar los métodos de limpieza para pisos y terminaciones de pisos recomendados por el fabricante. La tira de metal en la base del limpiador puede dañarse si se utiliza en concreto o en superficies abrasivas, y por lo tanto, puede causar daño a los pisos de madera, superficies suaves de madera (vinilo, baldosas de asfalto, etc.) y pisos encerados. El cepillo del rodillo también puede manchar las terminaciones muy suaves. No operar la unidad mientras que se encuentre en posición vertical o trancada. No permitir que la unidad funcione mientras que esté en cualquier posición estacionaria por cualquier plazo de tiempo. Mantener la unidad en movimiento mientras que esté funcionando.

Para reemplazar la bolsa para polvo de filtro



ADVERTENCIA: Desconecte el cordón de la toma eléctrica antes de dar servicio.

RETIRO DE LA BOLSA:

- fig. 5 Abra completamente el cierre de cremallera de la bolsa exterior.
- fig. 6 Tire del collar de cartón de la bolsa para soltar del conector la puerta de apoyo de la bolsa. La puerta de apoyo de la bolsa se abre hacia abajo.
- fig. 7 Tire suavemente el collar de cartón hacia arriba y hacia afuera del apoyo de la bolsa.

INSTALACION DE LA BOLSA:

- fig. 8 Deslice el collarín de cartón en la puerta de carga de la bolsa hasta que el agujero de lengüeta del sello para polvo de cierre automático esté inmovilizado en su posición.
- fig. 9 Empuje firmemente con ambos pulgares la puerta de carga de la bolsa sobre el punto indicado hasta que encaje.

Cómo reemplazar una correa desgastada



ADVERTENCIA: Desconecte el cordón de la toma eléctrica antes de dar servicio.

- fig. 10 Retire la correa de repuesto del canal de almacenamiento.
- fig. 11 Retire la puerta quitando el tornillo de fijación ubicado en el costado del cabezal motorizado
- fig. 12 Deslice la puerta hacia adelante haciendo palanca con un destornillador o una moneda.
- fig. 13 Retire la correa de la polea del rodillo del cepillo y el eje de impulsión del motor.
- fig. 14 Haga pasar la nueva correa sobre el eje de accionamiento del motor. Coloque el extremo opuesto de la correa sobre la polea del rodillo del cepillo. Haga girar el rodillo del cepillo tres (3) revoluciones completas, para asegurar que ninguna parte de la correa sobresalga del extremo del eje de accionamiento del motor.
- fig. 12 Con su pulgar e índice, gire la correa sobre la polea, asegurándose que la correa rodee toda la circunferencia de la polea.
- fig. 11 Regrese a su lugar la puerta deslizándola sobre la ranura en la parte interior del bastidor. Regrese a su lugar el tornillo de sujeción.

Para ajustar o reemplazar el cepillo



ADVERTENCIA: Desconecte el cordón de la toma eléctrica antes de dar servicio.

- fig. 15** Para determinar si el cepillo está desgastado, coloque un borde recto firme a través de la abertura de la boquilla. Si las cerdas del cepillo no se extienden más allá de la placa base, debe de ajustar el cepillo.
- fig. 16** Quite la placa base retirando 5 tornillos.
- fig. 17** Luego quite la correa y el rodillo del cepillo del bastidor.
- fig. 18** Gire ambos ensamblajes de cojinetes en los extremos del rodillo del cepillo hasta que aparezca "OLD" y reemplácelo en los canales de ensamblaje del bastidor.

NOTA: El ajuste del conjunto de cojinetes, marcado "OLD" no tiene nervaduras en la parte superior del conjunto. El marcado "NEW" tiene varias nervaduras. Cuando se den vuelta los cojinetes, asegúrese que los dos ajustes del conjunto de cojinetes sean iguales y estén hacia arriba al reponer el rodillo de cepillo.

- fig. 15** Monte nuevamente la correa y la placa base y verifique la altura de las cerdas por arriba de la placa base en cada extremo del cepillo.

Si ya se ha hecho el ajuste previo y la altura de las cerdas no se extiende más allá de la placa base, deberá ordenar un nuevo ensamblaje de cepillo.

IMPORTANTE: A menos que el cepillo esté gastado como se indica más arriba, ambos apoyos deben encontrarse en la posición 'NUEVO' ('NEW'). Al hacer la rotación, ambos apoyos deben encontrarse en la posición 'VIEJO' ('OLD'). Si las posiciones no coinciden, su máquina sufrirá daños.

Uso de una tableta Oreck Fresh Air®

- fig. 19** Su aspiradora ORECK XL tiene un bolsillo para una tableta Oreck Fresh Air®. Este bolsillo de color claro se localiza dentro de la bolsa de vinilo, en el área donde la bolsa desechable de papel se fija al tubo de entrada. Inserte la tableta en el bolsillo.

Relleno o bloqueo

IMPORTANTE: En las alfombras nuevas y afelpadas, se puede atorar el tubo de admisión y el tubo inferior. Esto se debe al exceso de pelusa y recortes sueltos en la alfombra. Es posible que el atoramiento ocurra durante las primeras limpiezas hasta que se elimine todo el material suelto. Debido a la gran eficiencia de la aspiradora, muchas alfombras viejas causan atoramiento cuando se limpian por primera vez con esta aspiradora. Si su aspiradora no aspira debidamente, o produce un ruido anormal y la bolsa exterior no se infla, proceda de la manera siguiente:



ADVERTENCIA: Desconecte el cordón de la toma eléctrica antes de dar servicio.

- fig. 20** Revise que la boca de la abertura de entrada no esté bloqueada. Si hubiera un bloqueo, retírelo con unos alicates largos, un destornillador o una percha para ropa. Si no puede alcanzar el bloqueo, quite la placa base (**fig. 21**).
- fig. 22** Si el bloqueo no está en la base, retire el tubo inferior. Desenganche el resorte retenedor, liberando la parte inferior de la bolsa.
- fig. 23** Gire el collarín en sentido contrario de las agujas del reloj para deslizarlo hacia arriba. Jale el tubo fuera de su base.
- fig. 24** Verifique el bloqueo. Si está en el tubo, retírelo con una percha para ropa.
- fig. 25** Si el tubo no está bloqueado, vea el bastidor del ventilador. Retire los residuos con unos alicates largos, un destornillador o una percha para ropa.

- fig. 23** Para armar nuevamente, verifique el anillo tórico en el tubo, y reemplácelo si está dañado. La aspiradora no operará adecuadamente sin el anillo tórico del tubo. Deslice el anillo tórico aproximadamente 2" de la base del tubo. Coloque otra vez el tubo alineando primero la ranura en la base del tubo con la lengüeta interior dentro del bastidor del ventilador.

- fig. 26** Luego inserte nuevamente el tubo y empuje hacia abajo hasta que el tubo esté asentado. Asegúrese que el anillo tórico esté en su lugar en la abertura del bastidor del ventilador (**fig. 22**).

- fig. 27** Reponer y apretar el collar hasta que las orejetas de fijación estén trabadas en su lugar. Asegurarse que el collar no estropee las roscas en la caja.

NOTA: Si las medidas anteriores no corrigen el problema, llame a un centro de servicio autorizado ORECK o llame al centro de servicio a clientes. **US: 1-800-989-3535 Canada: 1-888-676-7325**